

SSG Series Of Three-phase Dry-type Transformer

Summary

SSG series of three-phase dry-type transformer is adopted the high-quality materials and advanced technology expertise for many years to get between 160VA to 600KVA, according to the latest technology of SG similar products, research and development to improve the number of complaints system transformers, their shape and installation dimensions are standardized, the product line international and national standards as VDE055 0, IEC439, JB5555, GB226 ect. Is apply to 50Hz-60Hz, input, output voltage is less than 500V for a variety of three-phase Electric occasions, the product of various input and output voltage level, join groups, regulating the number and location of taps (typically $\pm 5\%$ or $\pm 10\%$) Department of Air Self-cooling, with small size, light weight, insulating heat, high-grade features, plus protective jacket to protect personal safety and anti-hit and so on.

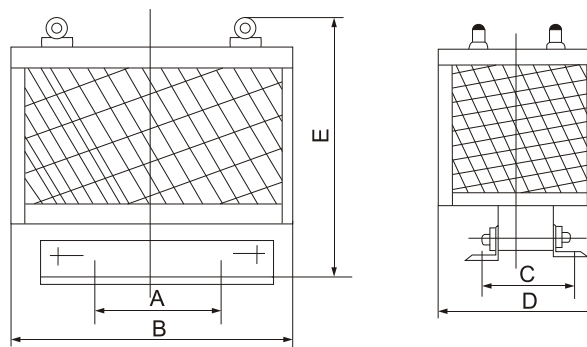
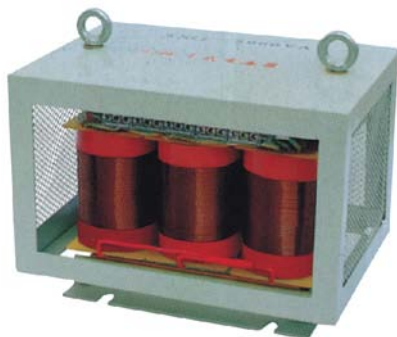
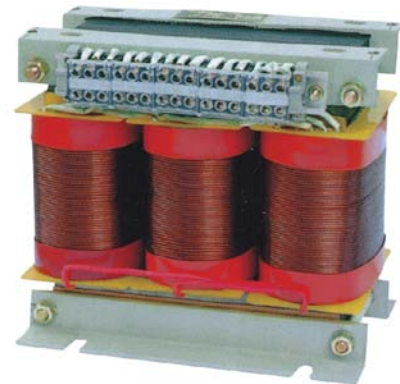
The company designed this series of products adopt high quality cold rolled silicon steel imports, reasonable structure, good performance, high efficiency, low noise, widely used in NC Machine tool control system for control and power supply purposes.

San-gui-type iron core transformers, Y / YO connection, the original, pay a good insulation between the coil and using every other to leave, so pay the external side of the circuit from the power grid and high-frequency electromagnetic interference device installed in the body within the protective net enclosures in order to maintain safe dissipation of heat good.

Working environment

1. Altitude for installing place should not exceed 2000m. Ambient air temperature: not exceed $+40^{\circ}\text{C}$, minimum of -25°C
2. The relative humidity of the atmosphere not exceed 90%(The monthly mean temperature is $+20^{\circ}\text{C}$) , No conductive dust, no- corrosive gas areas.
3. There was no significant shake and shock the local vibration, No rain and snow hit areas.

Outline and installation dimension



Capacity(VA) Type	Size(mm)	Installation size(mm)			installation hole	
		Bmax	Dmax	Emax	A	C
SSG-1.5KVA		270	170	195	120	95
SSG-3KVA		360	195	270	232	140
SSG-5KVA		382	195	285	250	134
SSG-7.5KVA		300	215	247	150	130
SSG-10KVA		420	260	430	300	190
SSG-17KVA		460	300	390	300	190
SSG-20KVA		460	320	465	362	165
SSG-26KVA		470	340	440	300	190
SSG-30KVA		470	340	486	300	190
SSG-37KVA		510	350	510	300	190
SSG-45KVA		650	360	510	300	190
SSG-64KVA		750	360	573	300	240